

LED Heated and Non Heated Work Lights - Model 670 XD

PRODUCT INFORMATION

Description	12-24V LED Heated Work Light with Flood Beam Pattern
Height	162.31 mm / 6.39 in
Width	123.95 mm / 4.88 in
Depth	52.58 mm / 2.07 in
Shape	Round
Outer Lens Material	Polycarbonate
Outer Lens Color	Clear
Housing Material	Polycarbonate
Housing Color	Black
Mounting Hardware Description	5/16-18 x 1" Mounting Bolt
Mounting Type	Universal Pedestal Mount
Minimum Operating Temperature	-40 °C / -40 °F
Maximum Operating Temperature	65 °C / 149 °F
Connector or Wiring	Integrated 2-Pin Deutsch Weather-Proof Socket (DT04-2P)
Mating Connector	2-Pin Deutsch Weather-Proof Plug (DT06-2S)
Product Weight	1.41 lbs / 0.64 kgs
Shipping Weight	1.41 lbs / 0.64 kgs

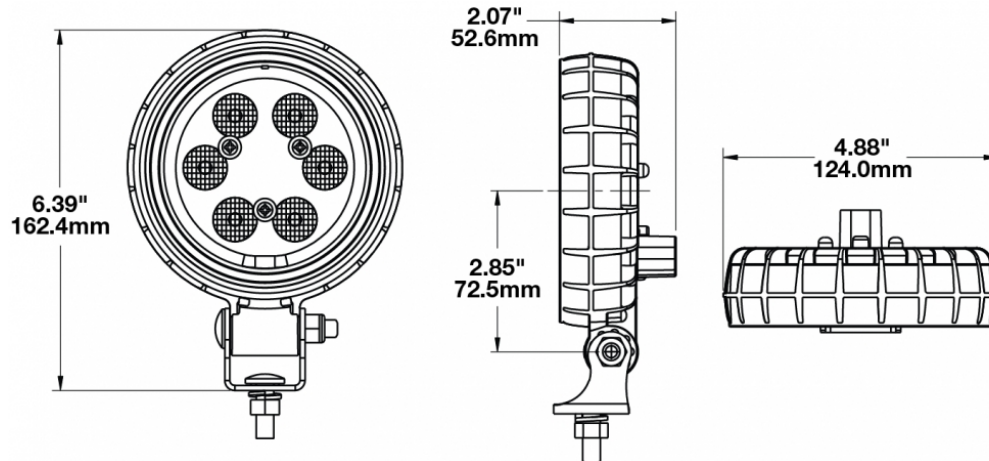


Print date: 2024-08-11

© 2024 J.W. Speaker Corporation • Germantown, WI U.S.A.
www.jwspeaker.com • speaker@jwspeaker.com • 262.251.6660

LED Heated and Non Heated Work Lights - Model 670 XD

PRODUCT DIMENSIONS



ELECTRICAL SPECIFICATIONS

Input Voltage	12-24V DC
Operating Voltage	10-30V DC
Red Wire	Positive
Black Wire	Negative
Current Draw	1.3A @ 12V DC (Without Heat) 0.6A @ 24V DC (Without Heat) 2.1A @ 12V DC (With Heat) 1.1A @ 24V DC (With Heat)

REGULATORY STANDARDS COMPLIANCE



Buy America Standards
IEC IP67
SAE J1113-13

Eco Friendly
IEC IP69K
Tested to ECE Reg. 10
(Radiated Emissions only)

Print date: 2024-08-11

© 2024 J.W. Speaker Corporation • Germantown, WI U.S.A.
www.jwspeaker.com • speaker@jwspeaker.com • 262.251.6660

LED Heated and Non Heated Work Lights - Model 670 XD

PHOTOMETRIC SPECIFICATIONS

Raw Lumen Output	1,080
Effective Lumen Output	780
Nominal LED Color Temperature	5000 K
Beam Pattern(s)	Forward Lighting - Flood (Standard)

APPLICATIONS



SMARTHEAT™ HEATING SYSTEM

The SmartHeat™ heating system senses ambient temperature and turns the integrated heating system in the lens on & off. This system actually clears ice & snow twice as fast as conventional halogen lamps.

When does the heater turn on?

Heater turns on or off according to temperature changes and vehicle power:

- Heater will turn on when temperatures drop, generating enough heat to prevent ice build-up.
- Heater will turn on when powering up, de-icing the light as rapidly as possible.

When does the heater turn off?

Heater will turn off when it senses temperatures increase and are above the high temperature threshold.

Learn more about this technology [here](#).

Print date: 2024-08-11

© 2024 J.W. Speaker Corporation • Germantown, WI U.S.A.
www.jwspeaker.com • speaker@jwspeaker.com • 262.251.6660

J.W. SPEAKER
Engineered. Lighting. Solutions.

LED Heated and Non Heated Work Lights - Model 670 XD

PRODUCT WARNINGS

For California residents:

⚠ **WARNING:** Cancer and reproductive harm - www.P65Warnings.ca.gov.

⚠ **AVERTISSEMENT:** Cancer et effet nocif sur la reproduction - www.P65Warnings.ca.gov.

ACCESSORIES



Part Number
8200101
Stainless Steel
Mounting Kit for Work
Lights & Marine Lights



Part Number
8200011
Magnet Mount Kit for
XD Series Work Lights



Part Number
8200491
Mounting Kit For Work
Lights

LED Heated and Non Heated Work Lights - Model 670 XD

RELATED PRODUCTS



Part Number
1403241

12-24V Non-Heated
LED Work Light with
Flood Beam Pattern



Part Number
1403251

12-24V Non-Heated
LED Work Light with
Trapezoid Beam
Pattern



Part Number
1403261

12-24V Non-Heated
LED Work Light with
Spot Beam Pattern



Part Number
1403271

12-110V Non-Heated
LED Work Light with
Trapezoid Beam
Pattern



Part Number
1403281

12-110V Non-Heated
LED Work Light with
Spot Beam Pattern



Part Number
1403291

12-110V Non-Heated
LED Work Light with
Flood Beam Pattern



Part Number
1403481

12-24V LED Heated
Work Light with Spot
Beam Pattern



Part Number
1403491

12-24V LED Heated
Amber Work Light with
Flood Beam Pattern